



(GB)

Code	Model
ECSEM452MID	M3PRO 80 M-Bus MID

Three phase energy meter, direct connection 80 A with MID declaration of conformity and M-Bus communication.

MID certification concerns active energy only.

User instructions.

Safety instructions

Read this manual carefully BEFORE installing the instrument.

This device must be installed indoor only by a professional electrician fitter according to local applicable installation standards.

Do not plug in or unplug this product when the power supplying is ON. Its use is only permitted within the limits shown and stated in the installation instructions. The device and the equipment connected can be destroyed by loads exceeding the values stated.

Any type of intervention on the products, including cases in which they cease to function or present defects, can be dangerous for the operator's safety and relieves the Manufacturer from all civil and criminal liability.

Function

This 4 quadrants meter measures the active and reactive energy used in an electrical installation. This device can manage 2 tariffs by 230 VAC digital input.

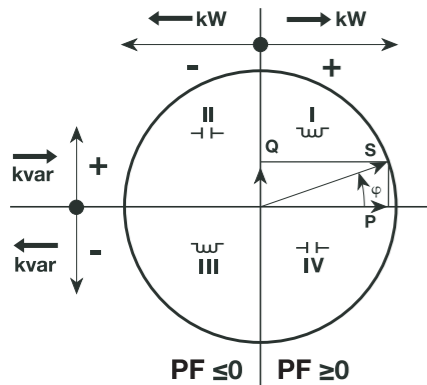
Only the total active energy register can be used for billing purposes according to measuring instrument directive (MID).

- Active Energy Class B (according to EN 50470-3:2022)
- Active Power Class 1 (according to IEC 62053-21:2020 and IEC 61557-12:2018)
- Reactive Energy Class 2 (according to IEC 62053-23:2020)
- Reactive Power Class 2 (according to IEC 62053-21:2020).

This device has a backlit LCD and 3 push-button keys to read Energies, V, I, PF, F, P, Q and to configure some parameters. The design and manufacture of this meter comply with Standard EN 50470-3:2022 requirements.

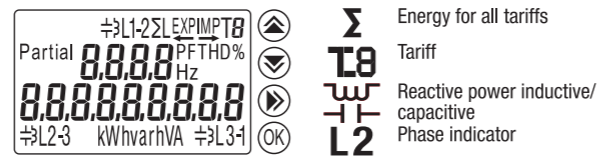
Power factor

Convention according to IEC 62053-23:2020



Layout of device

LCD display



Main Energy Register, not resettable

Partial Energy Register, resettable

Units
Energy import (consumption →)
Energy export (production ←)

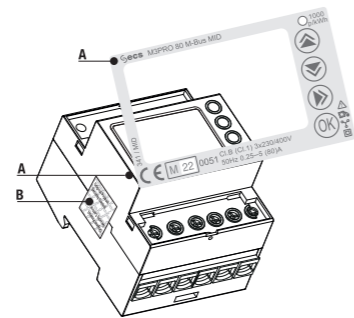
Commands

- UP button: to scroll pages and change parameters
- DOWN button: to scroll pages and change parameters
- MENU/ESC button: to change menu and stop modification procedure of a parameter
- OK button: to confirm the modification of a parameter

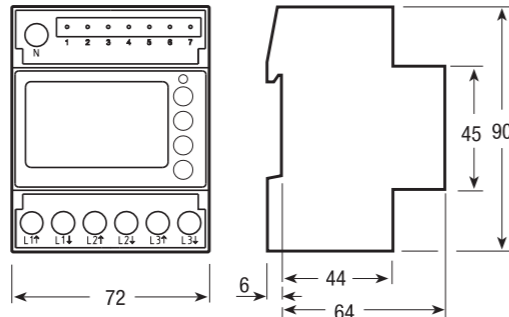
MID certified

A) Device code and certification data indications

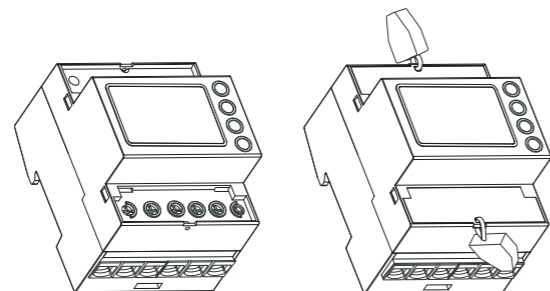
B) Safety-sealing between upper and lower housing part



Dimensions



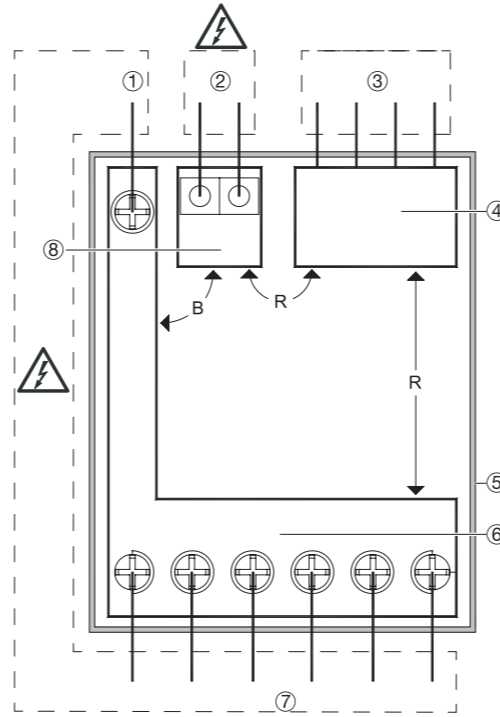
Sealable terminal cover



Wiring

Intended use

The Energy Meter is suitable for use on both impedance grounded networks and not grounded networks.



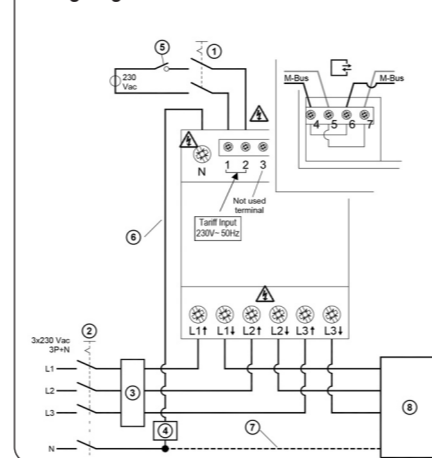
There are no accessible parts

Legend:

- B = Basic insulation
- D = Double insulation
- R = Reinforced insulation
- F = Functional insulation

- HLV TERMINAL, 1 terminal for neutral
- HLV TERMINAL, 2 terminal for tariff input
- SELV TERMINALS, 4 terminals or 2RJ45 connectors
- SELV CIRCUIT, (communication) working voltage <25 Vac, <60Vdc
- PLASTIC CASE (NOT EARTHED)
- HLV CIRCUIT, (mains) Working Voltage = 300 Vac
- HLV TERMINAL, 1 terminal for neutral
- HLV CIRCUIT, (tariff input) working voltage = 300 Vac

Wiring diagram



- Bipolar disconnector 230Vac
- Four-pole disconnector 3X230Vac, 3P+N. The disconnectors must be clearly labelled and must be easily accessible by the installer
- 3 fuses or 3 circuit breakers
- Fuse or circuit breaker in series with the neutral conductor, to be adopted in case the source neutral is not earthed. The installer is responsible for coordinating the rating and the characteristics of the supply side overcurrent protection. The devices must be correctly sized with respect to the installation voltage, the maximum overcurrent applicable to the meter and the fault current available. The following parameters are to be taken into consideration:
 - Maximum current = 80A
 - Maximum Overload current = 96A
 - Maximum Voltage = 276 Vac
- Control circuit for the tariff: Open contact: Tariff 1, Close contact: Tariff 2
- The connection of the Neutral to the Energy Meter is strictly MANDATORY. Failure to connect affects not only the quality of the measurements, but also electrical safety.
- The connection of the Neutral to the load is not mandatory. However, consider that in a 3P + N network, if the Neutral is not connected to the load, the measurements referred to L1, L2 and L3 no longer have any meaning. Only the 3-phase (ΣL) measurements remain significant.
- 3 wires or 4 wires electrical load. Connection to the neutral is MANDATORY

Installation and uninstallation

The disconnectors (reference ① and ② in the wiring diagram) must be easy to identify and to operate and must be close to the Meter. They both must be in "OFF" position (open circuits) from the beginning to the end of the installation or of the uninstallation. The Energy Meter, the disconnectors and the overload current protection devices must be easily identifiable, must be installed in an adequate cabinet (IP51 and V1) and it must be easy to intervene on them whenever appropriate. Inside the cabinet, do not install any other device with a flammability class worse than V1.

Commissioning

- Recommendations
- Check the following before putting it into service:
- Make sure that no dangerous voltages are connected to the SELV terminals.
 - Make sure that a phase has not been connected to the Neutral terminal (this would cause the internal protections to intervene with permanent damage to the Meter).
 - Check that the main page appears on the display (see menu description) and not the Phase Sequence Error page.

Maintenance

- Make sure that no voltage is applied to the instrument.
- Only dry cleaning is allowed with a natural fiber cloth (for example cotton or linen) or synthetic fabric that does not leave residual fibers that can remain on the surface of the Energy Meter or that can penetrate into the Energy Meter.

For this Energy meter, no maintenance, repair or replacement of parts is foreseen. Such interventions are to be considered prohibited. In case of malfunction, it must be replaced.

Help in case of problems

Error condition

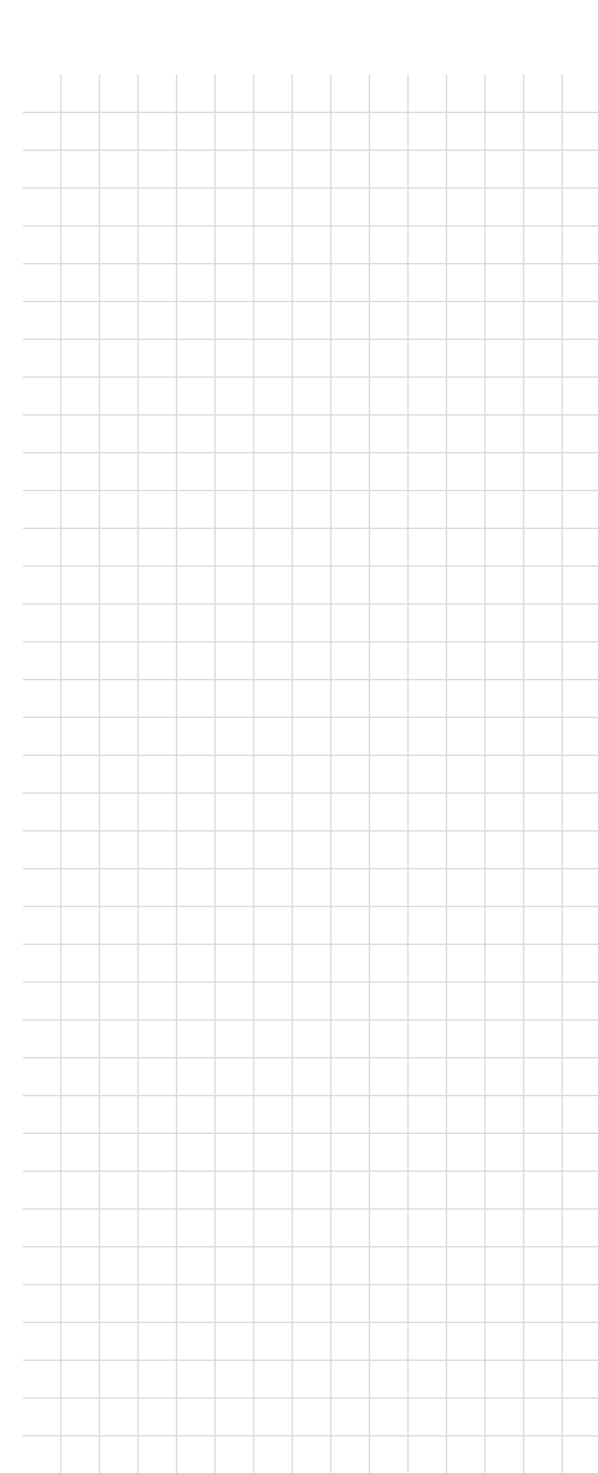
When partial energy blinks, reset partial energy (maximum partial energy register). When the display shows the message ERROR N02 or ERROR N03, the meter has got a malfunction and must be replaced.

Diagnostic message



The cabling sequence (L1-L2-L3) is wrong. L1, L2 and L3 icons blink. Invert the voltage wires of 2 phases (phase 1 <-> phase 2 or phase 2 <-> phase 3). Otherwise, by pressing the «OK» button for at least 5 seconds, the message disappears until the next restart.

Notes

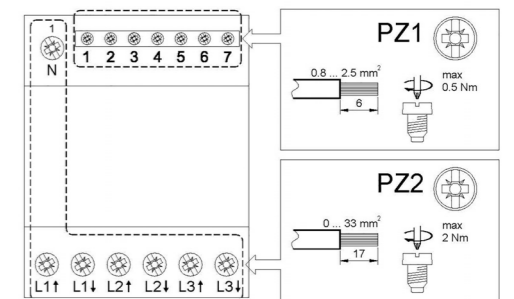


Cable section. Cable stripping length

Screwdriver type. Maximum terminal screw torque

Adopted cables shall retard flame propagation.

Cables must therefore comply with IEC 60332-1-2:2004 or have a flammability rate UL 2556 VW-1



Main Menu

Three Phase Energies List

Main Page

Partial L1 ΣL IMP T1 793200 156 L2 kWh L3	Active Imported Energy tariff T1 with partial register
Partial ΣL EXP T1 647 6 1065 kWh	Active Exported Energy tariff T1 with partial register
Partial ΣL IMP T2 3528 3208 146 kWh	Active Imported Energy tariff T2 with partial register
Partial ΣL EXP T2 1986 532608.74 kWh	Active Exported Energy tariff T2 with partial register
Σ IMP T1 3367 124 k varh	Reactive Imported Energy tariff T1
Σ EXP T1 27600983 k varh	Reactive Exported Energy tariff T1
Σ IMP T2 3245 105.76 k varh	Reactive Imported Energy tariff T2
Σ EXP T2 9250.16 k varh	Reactive Exported Energy tariff T2

Selection Menu

By Pushing from Any page of Main Menu

ΣL E n E r G I E S	(*) OK → Three Phase Energies List
L1 E n E r G I E S	(*) OK → Phase 1 Energies List
L2 E n E r G I E S	(*) OK → Phase 2 Energies List
L3 E n E r G I E S	(*) OK → Phase 3 Energies List
ΣL I n S t n E R S U r E S	(*) OK → Three Phase Instantaneous measures active power, reactive power, apparent power, frequency, neutral current
L1 I n S t n E R S U r E S	(*) OK → Phase L1, L2 & L3 Instantaneous measures active power L1, active power L2, active power L3, reactive power L1, reactive power L2, reactive power L3, apparent powers, line voltages, system voltage, phase current, power factors, voltage THDs, currents THDs
Σ E n E r G I E S	(*) OK → Parameters List (Read and/or Modify)
Partial E n E r G I E S r E S E T ?	(*) OK → Partial Energies Reset Procedure
CHS 626CH	Firmware checksum
S n 6574	Serial Number (page required by MID directive)
Y E A R 2023	Year of manufacturing (page required by MID directive)
t y P E P n E E t E r kWh	Instrument type (page required by MID directive)
U E r 104	Firmware version
Partial 8888 Hz 88888888 ΣL2-3 kWh varh VA ΣL3-1	Display test

Password

In Configure Menu it is possible to protect the access to sub-menus of Selection Menu by a password.

OFF
P A S S W O R D

Once request, to enter the password user must push both UP button and DOWN button at the same time for 4 seconds

Enter
P A S S W O R D

Parameters in models with M-Bus on-board

Addr 138

bAud RATE 9600

Id 04517629

OFF
P A S S W O R D

- M-Bus Primary Address Selectable in the range 1...250
- The default value is 0, but, once modified to a value 1...250, it is no longer possible to go back to 0.
- M-Bus Baud Rate Available Baud Rates are: 300, 600, 1200, 2400, 4800 and 9600
- The default baud rate is 2400
- Unique M-Bus Secondary Address, not modifiable
- Password Enabled/Disabled

Technical data

Data in compliance with EN 62052-11:2021+A11:2022, EN 62052-31:2016-06, EN 50470-3:2022, EN 62059-32-1:2012

General characteristics			
Housing	DIN 43880	DIN	4
Mounting	EN 60715	DIN rail	35 mm
Depth		mm	60
Weight		g	424
Operating features			
Connection	to three-phase network - number of wires	-	4
Storage of energy values and configuration	Internal flash non volatile memory	-	☑
Tariff	for active and reactive energy	-	T1 ... T2 230V
Approval (EN 50470-3:2022)			
Reference Voltage (Un)	phase / neutral	VAC	230
	phase / phase	VAC	400
Nominal Current (In)		A	5
Transition Current (Itr)		A	0.5
Minimum Current (Imin)		A	0.25
Maximum Current (Imax)		A	80
Starting Current (Ist)		A	0.015
Reference Frequency (fn)		Hz	50
Number of phases / number of wires		-	3 / 4
Certified Measures		kWh kWh	kWh
Accuracy		classe	B / 1
- Active Energies (accord. to EN 50470-3:2022)			
- Active Powers (accord. to IEC 62053-21:2020 and IEC 61557-12:2018)			
- Reactive Energies (accord. to IEC 62053-23:2020)		classe	2
- Reactive Power (accord. to IEC 62053-21:2020)			
Supply Voltage and Power Consumption			
Operating Supply Voltage range		V	92 ... 276 / 160 ... 480
Maximum Power Consumption (Voltage circuit)		VA / W	≤2 / 0.6
Maximum VA burden (Current circuit) @ Imax		VA	≤2
Voltage Input Waveform		-	AC
Voltage impedance		MΩ	1
Current impedance		mΩ	≤20
Overload capability			
Voltage	continuous	phase / neutral	VAC 276
	temporary (1 s)	phase / neutral	VAC 300
	continuous	phase / phase	VAC 480
	temporary (1 s)	phase / phase	VAC 800
Current	Maximum	A	96
	temporary (10 ms)	A	2400
Measuring Features			
Voltage range	phase / neutral	VAC	92 ... 276
	phase / phase	VAC	160 ... 480
Current range		A	0.25 ... 80
Frequency range		Hz	45 ... 65
Measured Quantities		-	V, A, kWh, kvarh, PF, Hz, kW, kvar
3 phases Energy calculation		-	WELMEC
Display features			
Display type	LCD with backlight	-	7.2 +3.2
Active Energy	7 digits + 2 decimal digits	kWh	0.01 ... 99999999.9
Reactive Energy	7 digits + 2 decimal digits	kvarh	0.01 ... 99999999.9
Voltage	3 digits + 1 decimal digit	V	92.0 ... 276.0
Current	2 digits + 2 decimal digits / 3+1 / 4+0	A	0.00 ... 80.00
Power factor	1 digit + 3 decimal digits with sign + capac./induc. indic.	-	-1.000 ... 1.000
Frequency	2 digits + 2 decimal digits	Hz	45.00 ... 65.00
Active Power	2 digits + 2 decimal digits	kW	0.00 ... 22.08
Reactive Power	2 digits + 2 decimal digits	kvar	0.00 ... 22.08
Apparent Power	2 digits + 2 decimal digits	kVA	0.00 ... 22.08
Display refresh period		s	1
Optical metrological LED			
Front mounted red LED (meter constant)	proportional to active imp/exp Energy	imp/kWh	1000
Safety			
Utilization category		-	UC2
Overvoltage category		-	3
Protective class		classe	II
AC voltage test		kV	4
Degree of pollution		-	2
Operational voltage		V	300
Impulse voltage test (Uimp)		1.2/50 μs-kV	6.4
Housing material flame resistance	UL 94	classe	V0
Safety-sealing between upper and lower housing part		☑	
Printed circuit board flammability class		-	V1
Material Group		-	IIla
IR Connectable Communication Modules			
For communication modules		-	☑
Embedded communication M-Bus			
Baud rate	adjustable	-	300-600-1200-2400-4800-9600
Unit load		-	1
Isolation class		-	SELV circuit
Tariff			
Tariff 1		-	☑
Tariff 2		VAC	230 ±20%
Input impedance		kΩ	224
Environmental conditions			
Storage temperature range		°C	-25 ... +70
Operating temperature range		°C	-25 ... +55
Mechanical environment		-	M1
Electromagnetic environment		-	E2
Installation	indoor only	-	☑
Altitude (max.)		m	≤2000
Humidity	yearly average, without condensation on 30 days per year, without condensation in built-in condition (front part)	-	≤75%
		-	≤95%
IP rating		-	IP51
		-	IP20
Emission class compatibility CISPR 32		classe	B